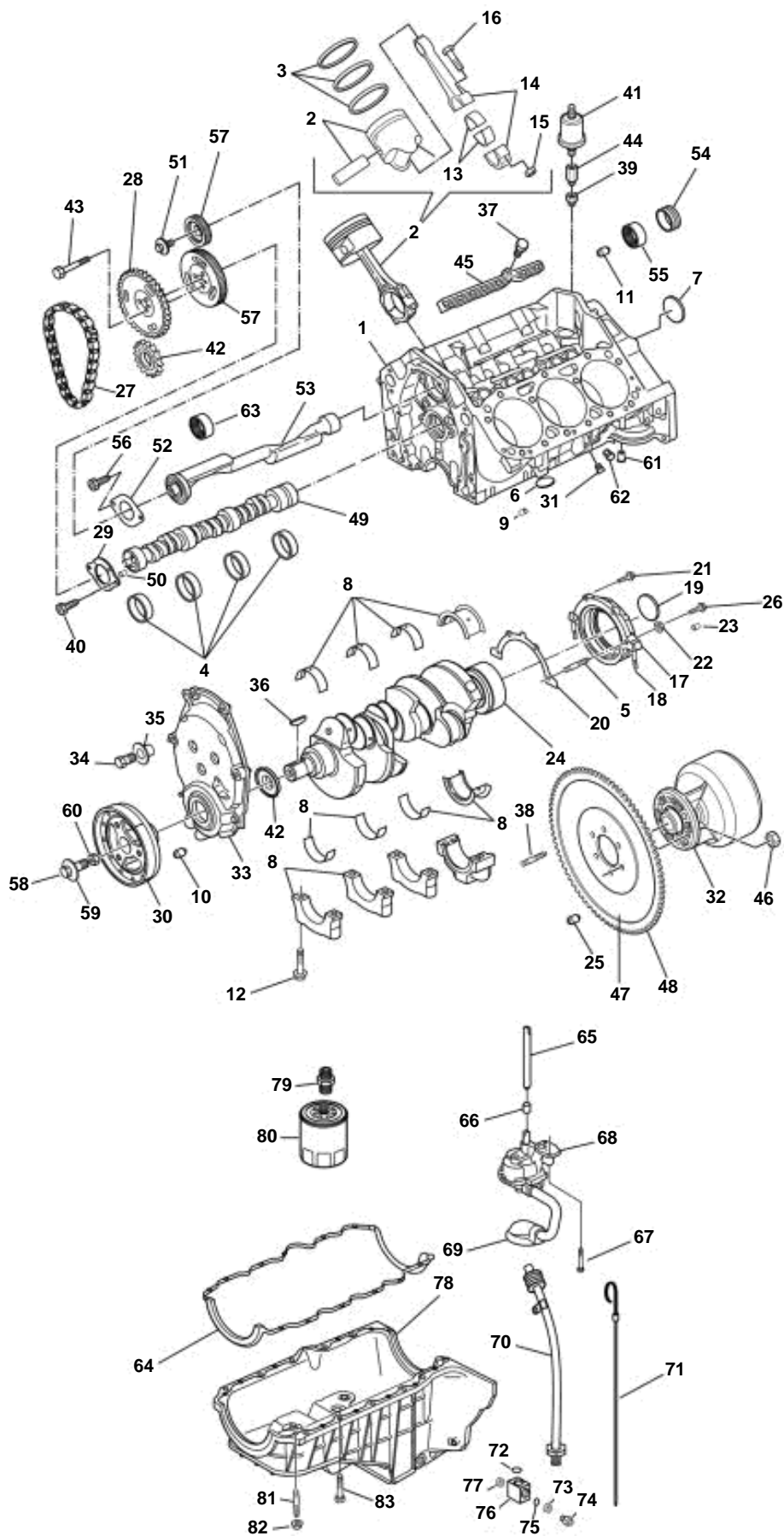


CRANKCASE AND OIL PAN



CRANKCASE AND OIL PAN

REF	PART NO.	QTY	DESCRIPTION	SEE SEC.	NOTES
1	3858440	1	Longblock		
			Bulletin P-21-0-12	P-21-0-12-EN	Longblock Guidelines, 4.3GL
			Bulletin P-21-0-14	P-21-0-14-EN	Longblock Guidelines, 4.3GS/GI
2	3855742	6	Piston, Standard		
	3855743		Piston, 0.50 mm OS		As required
3	3855740	6	Piston ring kit, Standard		
	3855741		Piston ring kit, 0.50 mm OS		
4	3856778	1	Camshaft bearing kit, Camshaft		
5	3856140	1	Pin, Rear oil seal housing		
6	3852100	6	Core plug, Expansion		
7	3853209	1	Core plug, Rear camshaft bearing		
8	3856772		Main bearing kit, Main, standard		
	3856773		Main bearing kit, Main 0.010 in OS		As required
	3856774		Main bearing kit, Main 0.020 in OS		As required
9	3853114	4	Locating pin, Cylinder head		
10	3855972	2	Pin, Timing cover		
11	3856001	2	Pin, Flywheel housing		
12	3853214	10	Screw, Bearing cap		
13	3854955	6	Rod bearing, Rod, standard		
			Bulletin P-21-6-2	P-21-6-2-EN	Rod Bearings, 4.3L
14	3854173	6	Connecting rod		
15	3853148	12	Nut, Connecting rod		
16	3853179	12	Screw, Connecting rod		
17	3857716	1	Housing, Rear oil seal		
18	3857718	2	Stud, Rear oil seal		
19	3856926	1	Seal		
20	3852656	1	Gasket, Rear oil seal housing		
21	3853203	2	Screw, Rear oil seal		
22	3853206	1	Nut, Rear oil seal housing		
23	3853205	1	Stud, Rear oil seal housing		
24	3855733	1	Crankshaft		
25	3855969	1	Pin, Flywheel		
26	3853204	1	Screw, Rear oil seal		
27	3852685	1	Chain		
28	3854319	1	Sprocket, Camshaft		
29	3854329	1	Retainer, Camshaft		
30	3855734	1	Vibration damper		
	3855738	1	Stud, Timing cover		Not shown
31	3850802	2	Plug, Water drain		
32	3858437	1	Rubber coupling		SX, DP - S
33	3855735	1	Timing gear casing		
34	3855737	4	Screw, Timing cover		
	3855736	2	Screw, Timing cover		
35	3855739	6	Grommet, Timing cover		
36	3853648	1	Key, Crankshaft		
37	3855817	4	Screw, Lifter guide retainer		
38	3853274	6	Stud, Coupler to engine		
39	3855776	1	Adapter, Oil sending unit		
40	3854323	2	Screw, Camshaft retainer		
41	3857532	1	Sender, Oil pressure		
	872064		Sender, Oil pressure dual station		As required
42	3852690	1	Sprocket, Crankshaft		
43	3854330	3	Screw, Camshaft sprocket		
44	3852503	1	Elbow, Oil sending unit		
45	3855825	2	Guide, Valve lifter		
46	3853273	6	Lock nut, Stud, coupler to flywheel		
47	3854325	1	Flywheel		
48	3853207	1	Gear ring, Flywheel		
49	3854328	1	Camshaft		
50	3857717	1	Pin, Camshaft sprocket		
51	3854320	1	Screw, Balancer shaft gear		
52	3854217	1	Cover, Balancer shaft		
53	3857715	1	Shaft, Balancer		
54	3853209	1	Core plug, Rear balancer shaft bearing		

CRANKCASE AND OIL PAN

REF	PART NO.	QTY	DESCRIPTION	SEE SEC.	NOTES
55	3854315	1	Bearing bushing, Balancer shaft rear		
56	3853172	2	Screw, Balancer shaft retainer		
57	3854314	1	Drive gear, Balancer shaft		
58	949518	1	Screw, Damper		
59	3858177	1	Washer, Damper		
60	3852110	1	Washer, Damper		
61	3850660	1	Fitting, Oil pressure switch		Gi
62	3852215	1	Switch		Gi
63	3850519	1	Bearing, Balancer shaft, forward		
64	3855801	1	Gasket kit, Oil pan		
65	3853198	1	Shaft, Distributor to oil pump		
66	3853199	1	Retainer, Distributor to oil pump		
67	3853234	2	Screw, Oil pump to block		
68	3856125	1	Oil pump		
69	3857714	1	Oil pump screen, Oil pump		
70	3850473	1	Oil dipstick		GL
	3860214	1	Tube		Gi
	3852158	1	Lock strap, P/S hoses to oil dipstick tube		Not shown
71	3855723	1	Tube		
72	3852033	1	O-ring, Oil gage tube to fitting		Part of engine gasket kit
73	3852007	1	Washer, Retainer, oil pan drain		
74	3855721	1	Retainer, Oil pan drain		
75	3853674	1	O-ring, Retainer, oil pan drain		Part of engine gasket kit
76	3855722	1	Fitting, Oil pan drain		
77	3851981	1	Sealing washer, Fitting to oil pan		Part of engine gasket kit
78	3858697	1	Oil pan		
79	3853174	1	Fitting, Oil filter		
80	841750	1	Oil filter		
			Bulletin P-21-7-1	P-21-7-1-EN	Oil Filters, GM gas engines
81	3857718	2	Stud, Oil pan, front		
82	3856930	2	Nut, Oil pan		
83	3855802	10	Screw, Oil pan		